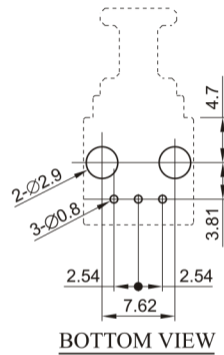
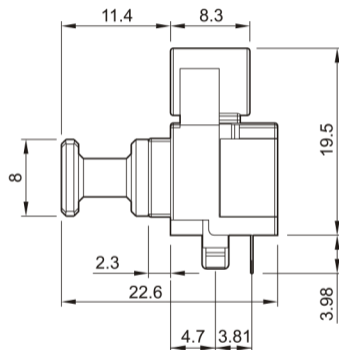
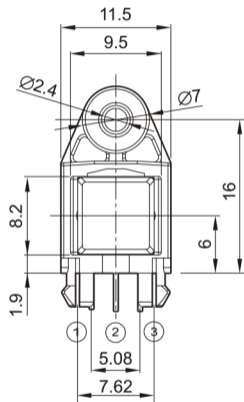
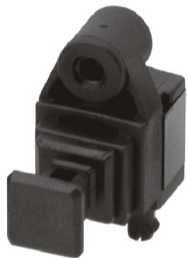


OC-0803\*001

( With Screw Hole Type )

BOTTOM VIEW

Transmitter	
Vin	①
Vcc	②
GND	③