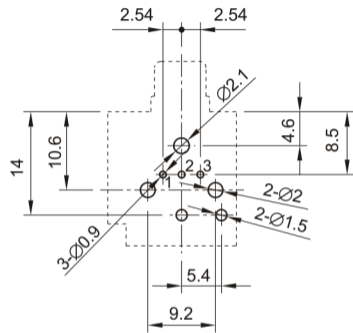
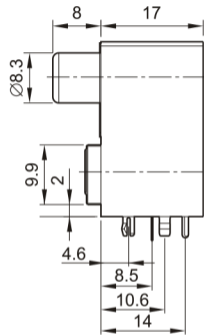
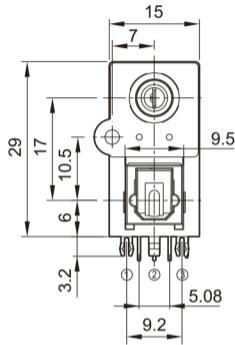


OC-0806**(With Screw Hole Type)****BOTTOM VIEW**

MODEL NO.	OC-0806
SCHEMATIC	

Transmitter	
Vin	①
Vcc	②
GND	③