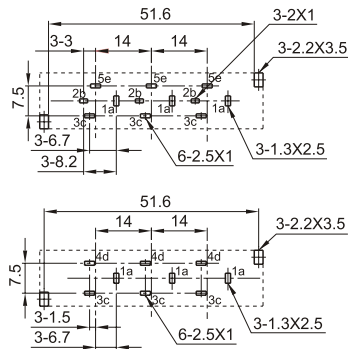
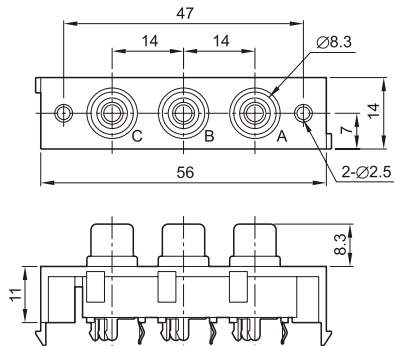


RJ-1089



BOTTOM VIEW

MODEL NO.	RJ-1089*00-3300A	RJ-1089*00-3300B	RJ-1089*00-3300D
SCHEMATIC			