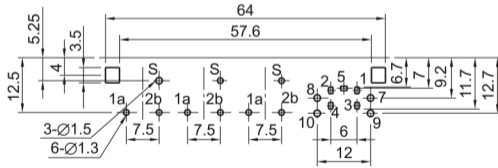
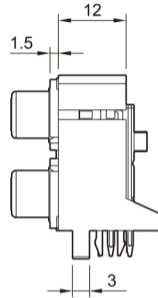
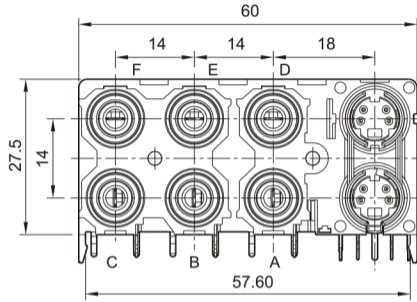
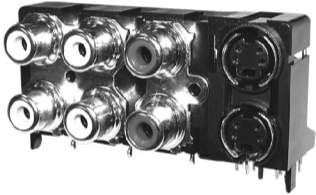


# RJ-1178



BOTTOM VIEW

MODEL NO.	RJ-1178*00-0300A
SCHEMATIC	(MINI DIN)