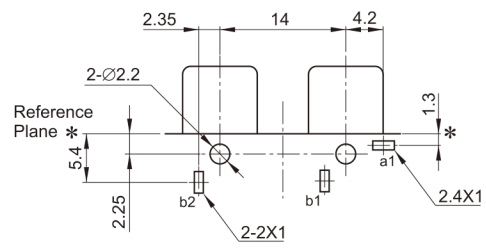
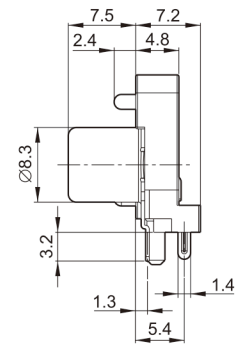
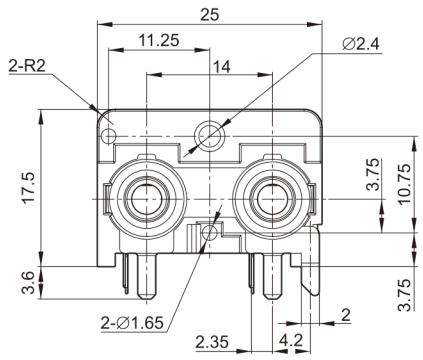
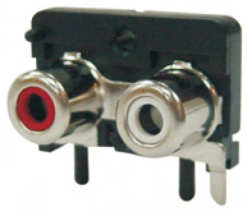


# RJ-1345



## BOTTOM VIEW

**Notes:**

- 1.This product shall not have structure to prevention of collapse.
- 2.Please take care that the plug tip projects on the back of the product when the mating plug is inserted.

TABLE A : CIRCUIT

MODEL NO.	1345*10-0H00A
SCHEMATIC	