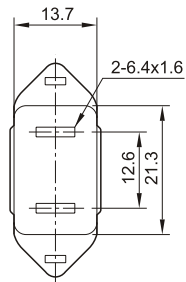
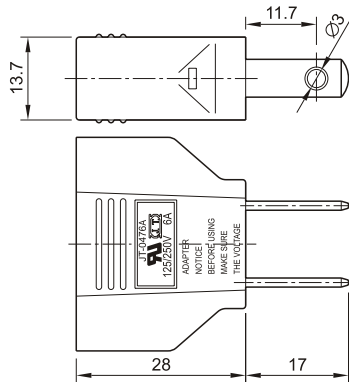
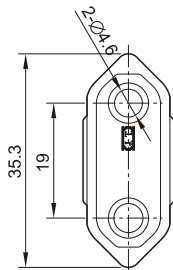


# JT-0476S



UL  
UL FILE NO. E232681