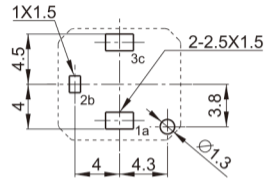
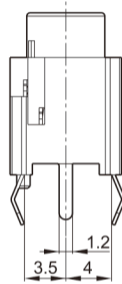
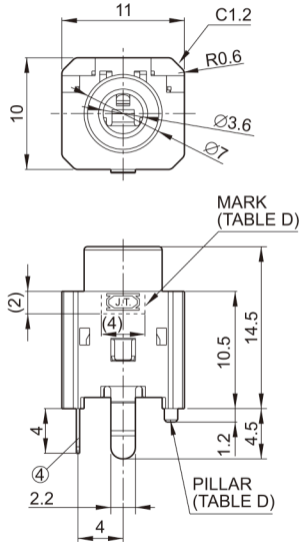


# JY-3599



BOTTOM VIEW

MODEL NO.	3599X*X1-020X	3599X*X1-030X
SCHEMATIC		