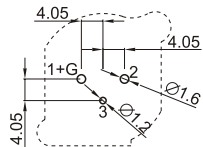
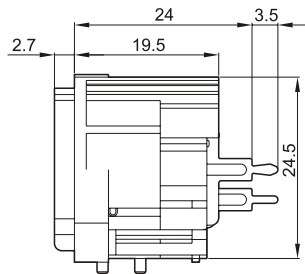
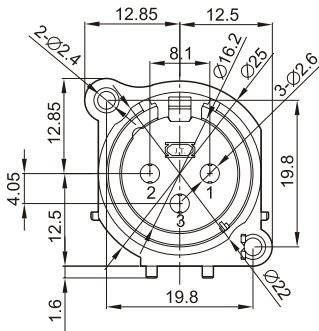
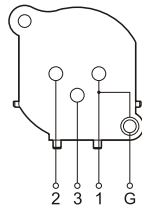


JY-5033**BOTTOM VIEW****SCHEMATIC**